

NACHI

NASGP 300A & NASGP 1A External Gear Pump



300A Gear Pump



1A Gear Pump

High Volumetric Efficiency at High Temperature

Max Operating Pressure at 3600 psi

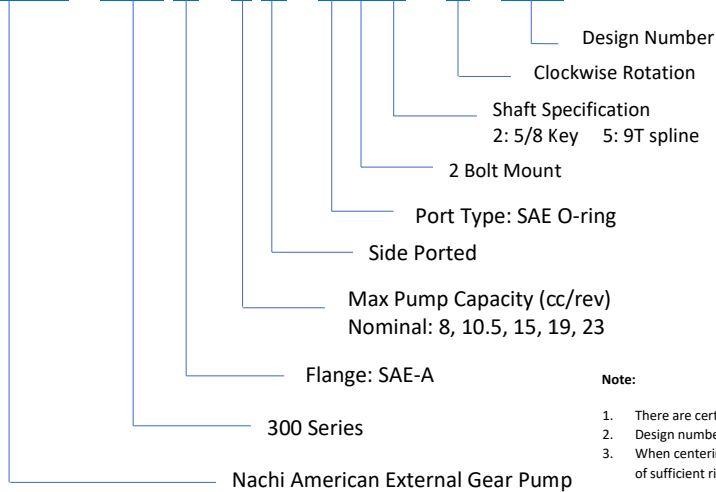
Can Be Mounted on the Back of PVS Pumps



NASGP 300A External Gear Pump

Explanation of Model Number

NASGP - 300 A - * A - 9 H * - R - E10



Note:

1. There are certain restrictions on pump capacity and motor capacity combinations.
2. Design numbers are subject to change without notice.
3. When centering the pump shaft, eccentricity with the motor shaft should be no greater than 0.05 mm. Use a pump mounting base of sufficient rigidity. The angle error should be no greater than 1°.

Model No.	Pump Capacity (cm ³ /rev)	Pump Capacity (in ³ /rev)	Flow Rate @ 1800 rpm (gpm)	Rated Pressure (psi)	Maximum Pressure (psi)	Speed (rpm)	Weight (lbs)
NASGP-300A-8A-9H2-R-E10	8.00	0.48	3.80	3,600	4,200	500 - 3500	8.00
NASGP-300A-10.5A-9H2-R-E10	10.40	0.63	4.95				8.36
NASGP-300A-15A-9H2-R-E10	14.80	0.90	7.04				8.80
NASGP-300A-19A-9H2-R-E10	19.20	1.17	9.13				9.24
NASGP-300A-23A-9H2-R-E10	22.90	1.40	10.89				9.68

Note: Direction of rotation is clockwise when viewed from the shaft end.

Allowable Specifications

Size	Displacement (in ³)	A (in)	L (in)	ØD (in)
NASGP-300A-8	0.48	2.16	3.67	3.25
10.5	0.63	2.28	3.80	
15	0.90	2.52	4.04	
19	1.17	2.76	4.27	
23	1.40	2.95	4.47	

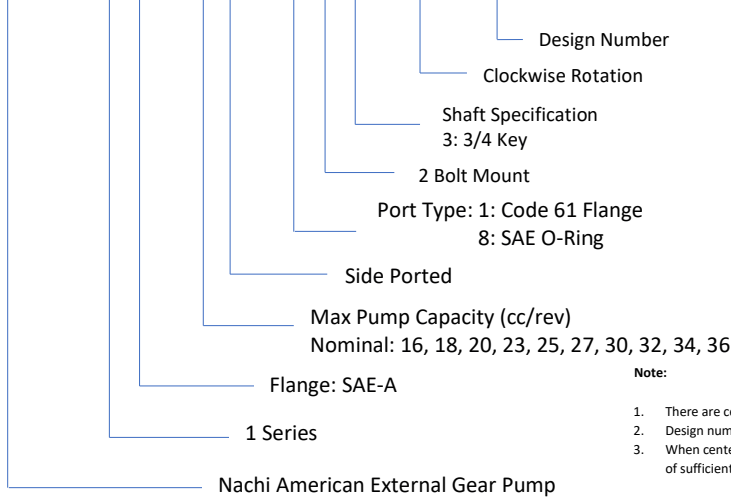
SAE J498b Involute Spline Data (Some dimensions are different from SAE Standard)			
No. of Teeth	9	Minor Diameter	Ø0.47 Max
Diametrical Pitch	16/32	Over Pin Diameter	0.735
			0.723
Pressure Angle	30°	Pin Diameter	Ø0.12
Major Diameter	Ø0.6085	Flat Root Side Fit	
	Ø0.6035		

	Front Pump	Rear Pump (Keyed)	Kit Number
NACHI Part Number	PVS-0B or PVS-1B Series	NASGP Series	PVMK-1-SAE-A-3/4"
	PVS-2B Series		PVMK-2-SAE-A-3/4"

NASGP 1A External Gear Pump

Explanation of Model Number

NASGP - 1 A - * F - * H 3 - R - E10



Note:

1. There are certain restrictions on pump capacity and motor capacity combinations.
2. Design numbers are subject to change without notice.
3. When centering the pump shaft, eccentricity with the motor shaft should be no greater than 0.05 mm. Use a pump mounting base of sufficient rigidity. The angle error should be no greater than 1°.

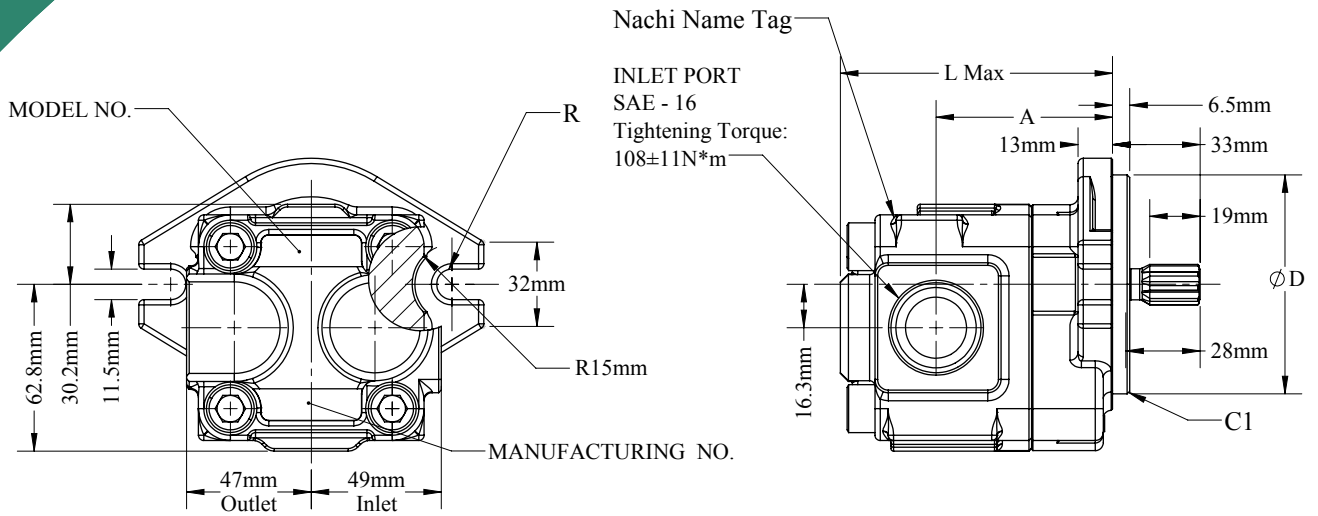
Model No.	Pump Capacity (cm ³ /rev)	Pump Capacity (in ³ /rev)	Flow Rate @ 1800 rpm (gpm)	Rated Pressure (psi)	Maximum Pressure (psi)	Speed (rpm)	Weight (lbs)
NASGP-1A-16F-8H3-R-E10	16.0	0.98	7.61	2,987	3,500	500 - 2,000	7.28
NASGP-1A-18F-8H3-R-E10	18.0	1.10	8.56				7.50
NASGP-1A-20F-8H3-R-E10	20.0	1.22	9.51				7.72
NASGP-1A-23F-8H3-R-E10	23.0	1.40	10.94				8.16
NASGP-1A-25F-8H3-R-E10	25.0	1.53	11.89				8.38
NASGP-1A-27F-8H3-R-E10	27.0	1.65	12.84				8.82
NASGP-1A-30F-8H3-R-E10	30.0	1.83	14.26				9.04
NASGP-1A-32F-8H3-R-E10	32.0	1.95	15.22				9.26
NASGP-1A-34F-8H3-R-E10	34.0	2.07	16.17				9.48
NASGP-1A-36F-8H3-R-E10	36.0	2.20	17.12				9.92

Note: Direction of rotation is clockwise when viewed from the shaft end.

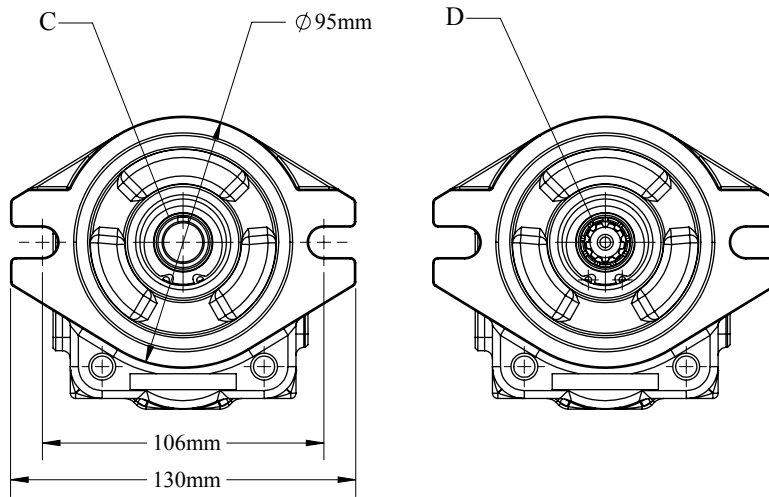
Allowable Specifications

Size	Displacement (in ³)	A (in)	L (in)	ØD (in)
NASGP-1A-16	0.98	3.86	4.78	3.25
18	1.10	3.96	4.88	
20	1.22	4.06	4.98	
23	1.40	4.21	5.14	
25	1.53	4.27	5.20	
27	1.65	4.41	5.33	
30	1.83	4.51	5.43	
32	1.95	4.67	5.59	
34	2.07	4.70	5.63	
36	2.20	4.82	5.75	

	Front Pump	Rear Pump (Keyed)	Kit Number
NACHI Part Number	PVS-0B or PVS-1B Series	NASGP Series	PVMK-1-SAE-A-3/4"
	PVS-2B Series		PVMK-2-SAE-A-3/4"



CUTOUT VIEW



NACHI
NACHI AMERICA INC.



877.622.4487



ml-nai.Hydraulics@Nachi.com



www.NachiAmerica.com



Nachi America Inc.

715 Pushville Road

Greenwood, IN 46143